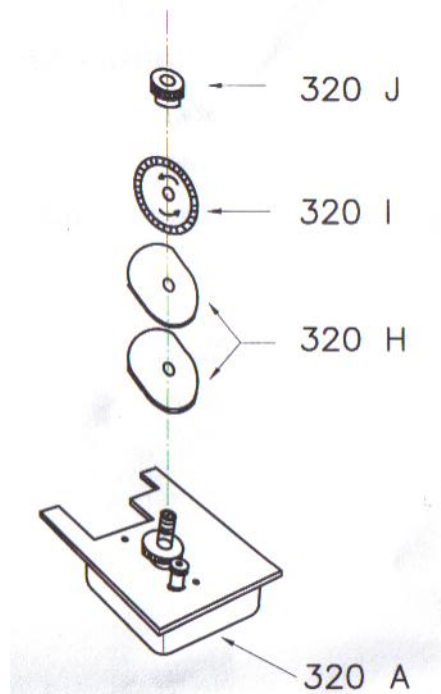
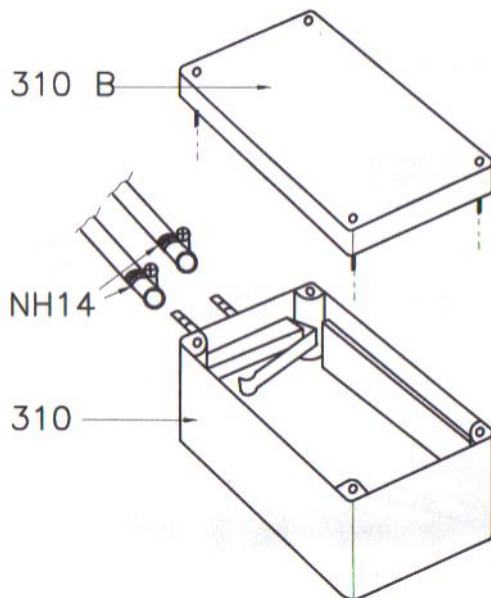


ZON TIMER GT 300



QUARTZ CLOCK TIMER PART#1009

For Zon Mark 4 Scare Cannons. By controlling gas flow, cannon is activated and deactivated at desired time. Clock is powered by AA battery



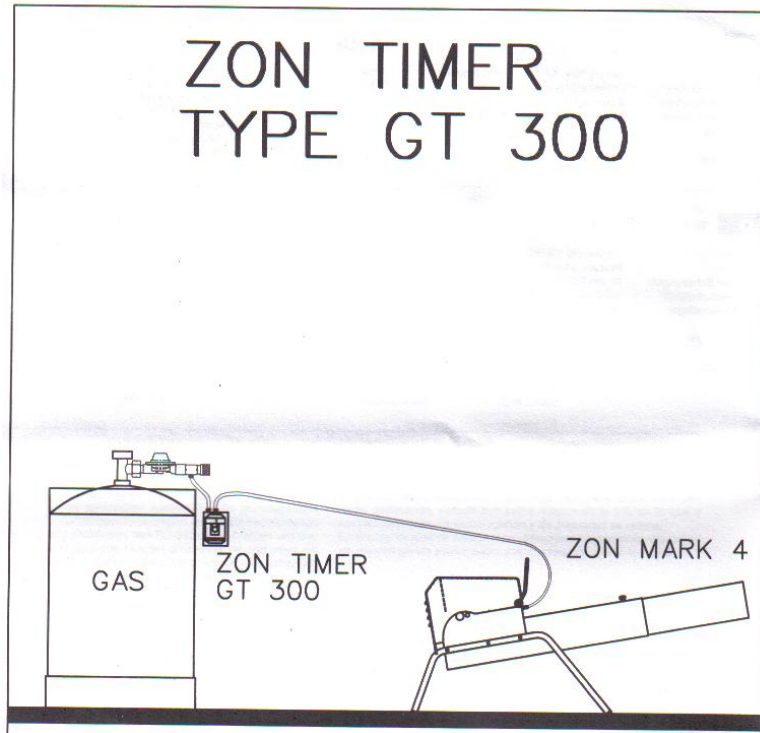
GB

Parts list

310	Case with gasvalve
310 B	Lid
320 A	Drive unit
320 H	Regulating disc
320 I	Dial
320 J	Milled nut
NH14	Adjustable clamp

ZON

ZON TIMER TYPE GT 300



GB

Warning

This timer can be connected to any birdscarer device operating on L.P. gas. The timer enables you to start and stop the birdscarer at any hour you wish.

To prevent gas leakage it is strictly prohibited to dismantle parts of the timer!

The timer is capable to make one switch a day, on and off (minimum 10 hours, maximum 18 hours) during a period of several months.

The timer can not be used at temperatures below -10°C ($=14^{\circ}\text{F}$).

The timer is a quality product built into a housing which is rain resistant. The gasvalve is operated by a Quartz drive unit. Avoid rough handling, especially shocks and bumps.

Keep the gas hose and nipples free of dust etc. Dust can cause leakage.

Only for outside use.

Do not smoke.

Wear ear protection when starting the birdscarer.

Take also good notice of the operating instructions of the birdscarer.

The timer has certain components which can only be repaired or set by the DAZON technical service department or by a recognized dealer.

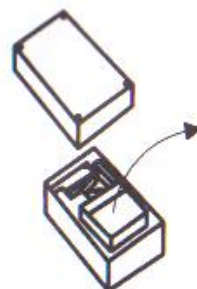




1



2



3

GB

Installation

Close the valve of the gas bottle when fitting the timer.

Cut the hose between gas bottle and birdscarer (fig. 1) at a distance of approx. 10-15 cm. Remove the caps from the nipples of the timer.

Slide the hose clamps over the hose and fit the hose on the nipples. The hose coming from the gas bottle has to be fitted on the left nipple (marked "in") and the hose coming from the birdscarer on the right nipple (marked "out"). Tighten both hose clamps with a screw driver.

Make sure that the gas regulator is connected to the gas bottle in such a way that the nipple of the interval regulator points downwards (fig. 2). In this way a vertical position of the timer is secured.

Time setting

A short time setting instruction is also given on the sticker on the lid.

Remove the lid from the timer.

Remove the drive unit from the timer and insert a battery type AA-R6 1.5 V (fig. 3 and 4).

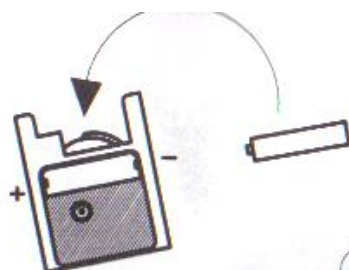
Turn the drive unit so the dial becomes visible (fig. 5).

The dial revolves once per 24 hours anti-clockwise and is divided in a day and night time. To set the time remove the milled nut (fig. 6) while holding the dial.

Never remove the milled nut while holding the drive unit. This could damage the drive unit (fig. 7).

Turn the dial in such a way that the **actual time** corresponds with the **time pointer**.

Turn the starting point of the lower regulating disc to the required starting time (**start**) and turn the end point of the other regulating disc to the required closing time (**stop**).



4



5

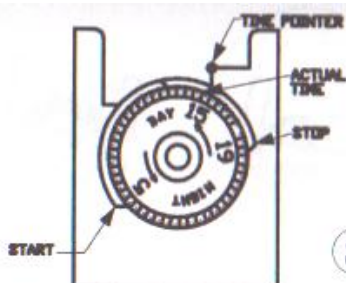


6





7



8



9

GB

Time setting (continued)

Example (fig. 8)

Your watch shows exactly 3 hours p.m. (**actual time**). You want to operate the birdscarer between 5 a.m. and 7 p.m.

- A. The **time pointer** points to the digit 15 on the dial (3 p.m.)
- B. The starting point of the lower regulating disc points at the digit 5 (**start**) of the dial.
- C. The end point of the upper regulating disc (**stop**) points at the digit 19 (7 p.m.)

After setting the times tighten the milled nut (fig. 9) while holding the dial with two fingers.

Turn the drive unit (fig. 10) and insert it back in the housing while slightly tilting it. Be sure that the regulating discs are opposite to the lever of the gasvalve (fig. 11).

Put the lid back on the timer (fig. 12). For good rain protection, it is necessary that the 4 screws are tightened in such a way that lid and housing are tight to each other and that no space is visible.

Open the main valve of the gas bottle.

The timer will operate now automatically.

General

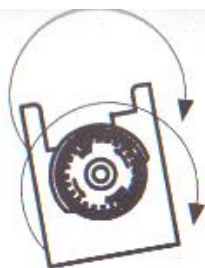
The dial turns to the left (anti-clockwise).

The elevated part of the regulating disc opens the gasvalve through the lever. This will start operating the birdscarer.

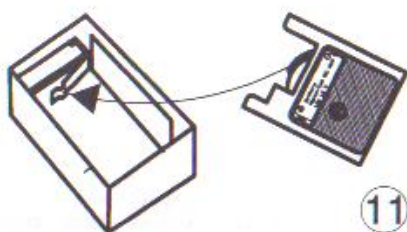
When the regulating disc is *low* there should be a space of 1-1.5 mm between lever and regulating disc. The proper function of the gasvalve can be checked by pushing against the lever. Afterwards the lever should drop because of the spring pressure inside the gasvalve.

Please contact your dealer or the manufacturer in case of interruptions or for further information. When the timer is not being used remove the battery and protect the nipples by putting the caps back on to them. Store the timer in a dry and dust free place.

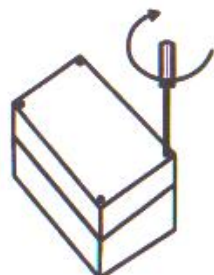
At the beginning of a new season a new battery should be inserted.



10



11



12